



# SPARE PARTS

## POTATO - PEELING



### MODELS

**PL 4 - PL 100**

**PL 8 - PL 200**

**PL 15 - PL 400**

**PL 20 - PL500**



## 1. SPARE PARTS

### 1.1 ORDERING SPARE PARTS

WHEN ORDERING ANY SPARE PARTS ALWAYS SPECIFY THE FOLLOWING:

- NAME OF THE CUSTOMER AND IDENTIFICATION DATA;
- ORDER NUMBER;
- IDENTIFICATION DATA OF THE MACHINE (MODEL, TYPE, SERIAL NUMBER);
- POSITION NUMBER OF THE SPARE PART;
- NAME;
- QUANTITY TO BE ORDERED.



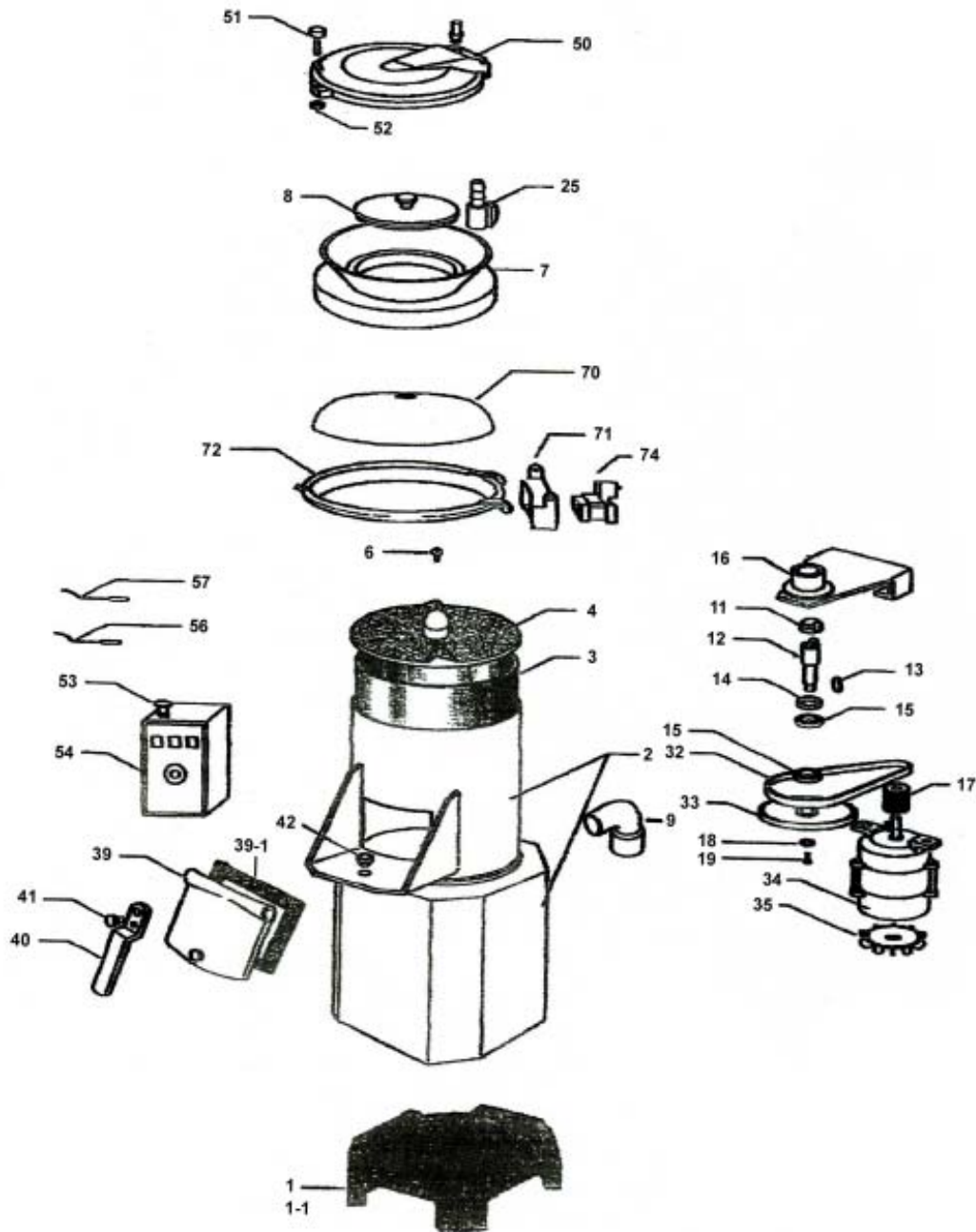
#### **ATTENTION!**

Only skilled, qualified, trained and authorised technicians, working for the manufacturer or for the authorised service centre, are allowed to carry out any replacement operations of spare parts.

Prior to proceeding with the replacement of spare parts, read carefully "Safety". It is also mandatory to carry out the "state of maintenance" procedures outlined. We would like to remind you that it is essential that the client always purchases original spare parts (or equivalents that have been authorised in writing by the manufacturer). The manufacturer will not be deemed responsible in case of use of non-original spare parts or incorrect mounting of the same.

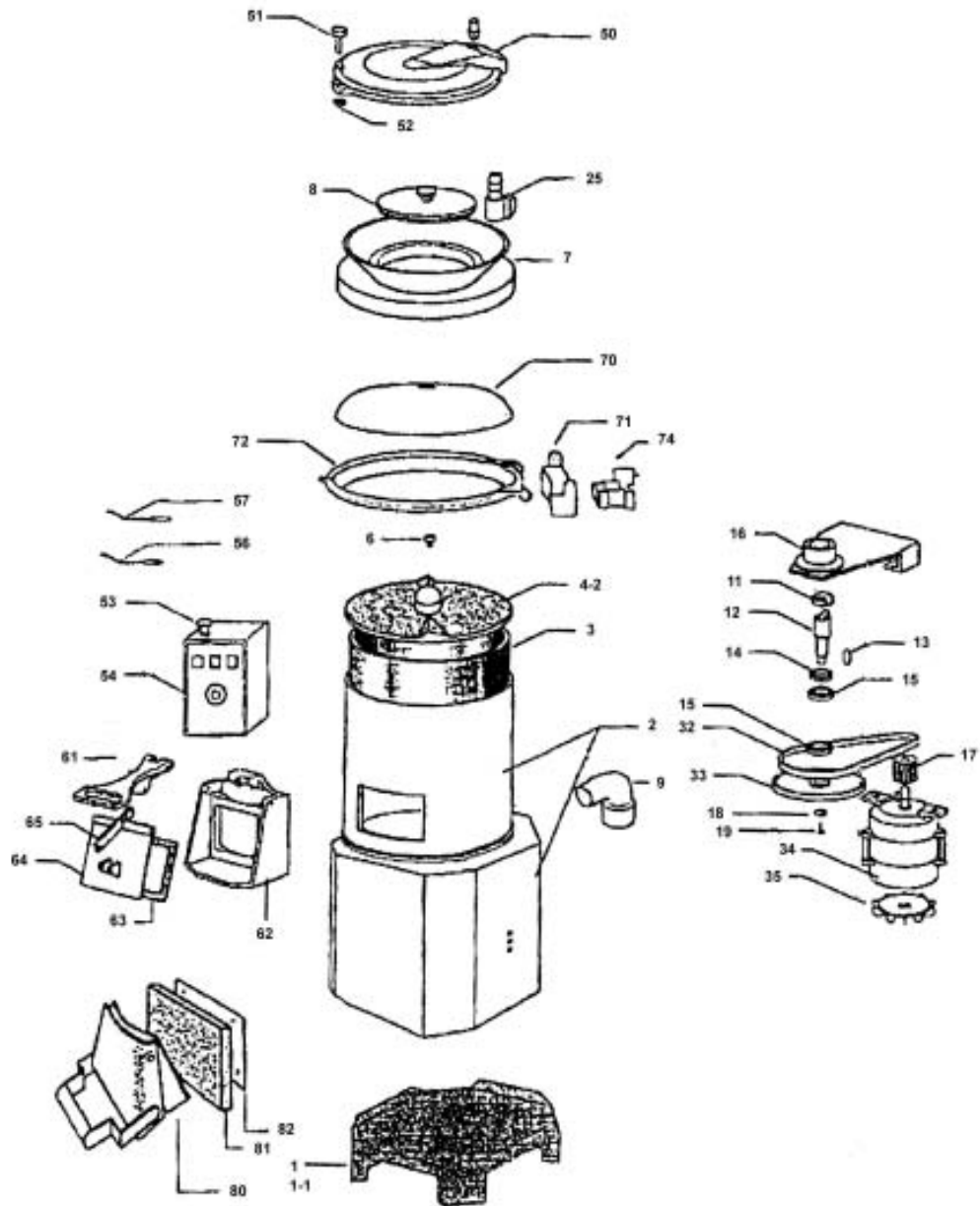
## **1.2 Spare Parts**

# PL 4



<b>POTATO PEELING / MUSSEL-CLEANING "PL4" - "PL100"</b>	
<b>S/N</b>	<b>DESCRIPTION</b>
<b>PL 100 / 1</b>	<b>BASIC</b>
<b>PL 100 / 1 - 1</b>	<b>ADJUSTABLE FEET</b>
<b>PL 100 / 2</b>	<b>STAINLESS STEEL CASE</b>
<b>PL 100 / 3</b>	<b>SIDE PLATE</b>
-	-
<b>PL 100 / 4 - 2</b>	<b>POTATO PEELING FULL PLATE</b>
<b>PL 100 / 4 - 3</b>	<b>MUSSEL-CLEANING FULL PLATE</b>
-	-
<b>PL 100 / 5</b>	<b>PLATE WITH GRIT</b>
<b>PL 100 / 6</b>	<b>SCREW</b>
<b>PL 100 / 7</b>	<b>INOX CONVEYOR</b>
<b>PL 100 / 8</b>	<b>COVER</b>
<b>PL 100 / 9</b>	<b>ELBOW</b>
<b>PL 100 / 10</b>	<b>TIMER</b>
<b>PL 100 / 11</b>	<b>RING</b>
<b>PL 100 / 12</b>	<b>SHAFT</b>
<b>PL 100 / 13</b>	<b>KEY</b>
<b>PL 100 / 14</b>	<b>OILBLOC</b>
<b>PL 100 / 15</b>	<b>BEARINGS</b>
<b>PL 100 / 16</b>	<b>SUPPORT</b>
<b>PL 100 / 16 - 1</b>	<b>SUPPORT ENGINE COMPLETE</b>
<b>PL 100 / 17</b>	<b>PULLEY</b>
<b>PL 100 / 25</b>	<b>COCK</b>
<b>PL 100 / 26</b>	<b>PIPING</b>
<b>PL 100 / 32</b>	<b>BELT</b>
<b>PL 100 / 33</b>	<b>PULLEY</b>
<b>PL 100 / 34</b>	<b>TRI GEARMOTOR</b>
<b>PL 100 / 34 - 1</b>	<b>MONO GEARMOTOR</b>
<b>PL 100 / 34 - 2</b>	<b>CAPACITOR MOTOR PHASE</b>
<b>PL 100 / 39</b>	<b>ALUMINUM DOOR</b>
<b>PL 100 / 39 - 1</b>	<b>ORING</b>
<b>PL 100 / 40</b>	<b>MANIGLIA INOX</b>
<b>PL 100 / 41</b>	<b>ROLLER</b>
<b>PL 100 / 42</b>	<b>BUSH</b>
<b>PL 100 / 50 - 1</b>	<b>COVER</b>
<b>PL 100 / 50</b>	<b>ASSEMBLY COVER</b>
<b>PL 100 / 51</b>	<b>HANDLE COVER</b>
<b>PL 100 / 52</b>	<b>SCREW</b>
<b>PL 100 / 53</b>	<b>SWITHC</b>
<b>PL 100 / 54</b>	<b>LOW VOLTAGE CONTROL BOX COMPLETE</b>
<b>PL 100 / 54 - 1</b>	<b>MASK LOW VOLTAGE BOX</b>
-	-
<b>PL 100 / 56</b>	<b>MICRO</b>
<b>PL 100 / 57</b>	<b>COVER MICRO</b>
-	-
<b>PL100 / 82</b>	<b>SWITHC</b>
-	-
<b>PL 100 / 70</b>	<b>COVER</b>
<b>PL 100 / 70 - 1</b>	<b>SUPPORT HINGE COVER</b>
<b>PL 100 / 71</b>	<b>CLOSING HINGE COVER</b>
<b>PL 100 / 71 - 1</b>	<b>COVER</b>
<b>PL 100 / 71 - 2</b>	<b>ORING</b>
<b>PL 100 / 71 - 3</b>	<b>MAGNET COVER</b>
<b>PL 100 / 71 - 4</b>	<b>DOOR MAGNET COVER</b>
<b>PL 100 / 72</b>	<b>ORING</b>
<b>PL 100 / 74</b>	<b>ELETTROVALVE</b>
<b>PL 100 / 74 - 1</b>	<b>COIL SOLENOID</b>
<b>PL 100 / 74 - 2</b>	<b>RESCA PER RUBINETTO</b>

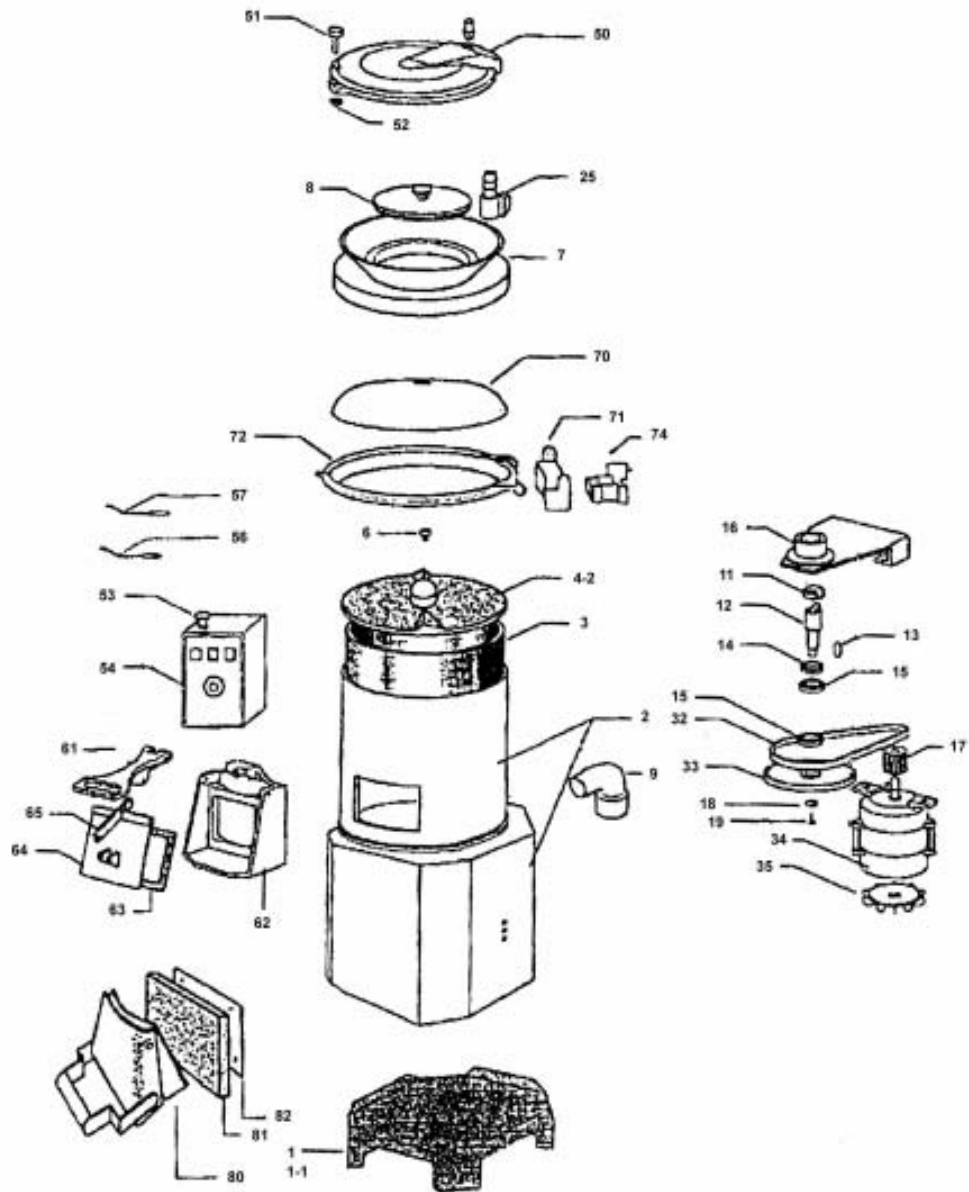
# PL 8



**POTATO PEELING / MUSSEL-CLEANING "PL8" - "PL200"**

<b>S/N</b>	<b>DESCRIPTION</b>
<b>PL 200 / 1</b>	<b>BASIC</b>
<b>PL 200 / 1 - 1</b>	<b>ADJUSTABLE FEET</b>
<b>PL 200 / 2</b>	<b>STAINLESS STEEL CASE</b>
<b>PL 200 / 3</b>	<b>SIDE PLATE</b>
-	-
<b>PL 200 / 4 - 2</b>	<b>POTATO PEELING FULL PLATE</b>
<b>PL 200 / 4 - 3</b>	<b>MUSSEL-CLEANING FULL PLATE</b>
-	-
<b>PL 200 / 5</b>	<b>PLATE WITH GRIT</b>
<b>PL 200 / 6</b>	<b>SCREW</b>
<b>PL 200 / 7</b>	<b>INOX CONVEYOR</b>
<b>PL 200 / 8</b>	<b>COVER</b>
<b>PL 200 / 9</b>	<b>ELBOW</b>
<b>PL 200 / 10</b>	<b>TIMER</b>
<b>PL 200 / 11</b>	<b>RING</b>
<b>PL 200 / 12</b>	<b>SHAFT</b>
<b>PL 200 / 13</b>	<b>KEY</b>
<b>PL 200 / 14</b>	<b>OILBLOC</b>
<b>PL 200 / 15</b>	<b>BEARINGS</b>
<b>PL 200 / 16</b>	<b>SUPPORT</b>
<b>PL 200 / 16 - 1</b>	<b>SUPPORT ENGINE COMPLETE</b>
<b>PL 200 / 17</b>	<b>PULLEY</b>
<b>PL 200 / 25</b>	<b>COCK</b>
<b>PL 200 / 26</b>	<b>PIPING</b>
<b>PL 200 / 32</b>	<b>BELT</b>
<b>PL 200 / 33</b>	<b>PULLEY</b>
<b>PL 200 / 34</b>	<b>TRI GEARMOTOR</b>
<b>PL 200 / 34 - 1</b>	<b>MONO GEARMOTOR</b>
<b>PL 200 / 34 - 2</b>	<b>CAPACITOR MOTOR PHASE</b>
<b>PL 200 / 39</b>	<b>ALUMINUM DOOR</b>
<b>PL 200 / 39 - 1</b>	<b>ORING</b>
<b>PL 200 / 40</b>	<b>MANIGLIA INOX</b>
<b>PL 200 / 41</b>	<b>ROLLER</b>
<b>PL 200 / 42</b>	<b>BUSH</b>
<b>PL 200 / 50 - 1</b>	<b>COVER</b>
<b>PL 200 / 50</b>	<b>ASSEMBLY COVER</b>
<b>PL 200 / 51</b>	<b>HANDLE COVER</b>
<b>PL 200 / 52</b>	<b>SCREW</b>
<b>PL 200 / 53</b>	<b>SWITHC</b>
<b>PL 200 / 54</b>	<b>LOW VOLTAGE CONTROL BOX COMPLETE</b>
<b>PL 200 / 54 - 1</b>	<b>MASK LOW VOLTAGE BOX</b>
-	-
<b>PL 200 / 56</b>	<b>MICRO</b>
<b>PL 200 / 57</b>	<b>COVER MICRO</b>
-	-
<b>PL200 / 82</b>	<b>SWITHC</b>
-	-
<b>PL 200 / 70</b>	<b>COVER</b>
<b>PL 200 / 70 - 1</b>	<b>SUPPORT HINGE COVER</b>
<b>PL 200 / 71</b>	<b>CLOSING HINGE COVER</b>
<b>PL 200 / 71 - 1</b>	<b>COVER</b>
<b>PL 200 / 71 - 2</b>	<b>ORING</b>
<b>PL 200 / 71 - 3</b>	<b>MAGNET COVER</b>
<b>PL 200 / 71 - 4</b>	<b>DOOR MAGNET COVER</b>
<b>PL 200 / 72</b>	<b>ORING</b>
<b>PL 200 / 74</b>	<b>ELETTROVALVE</b>
<b>PL 200 / 74 - 1</b>	<b>COIL SOLENOID</b>
<b>PL 200 / 74 - 2</b>	

# PL 15

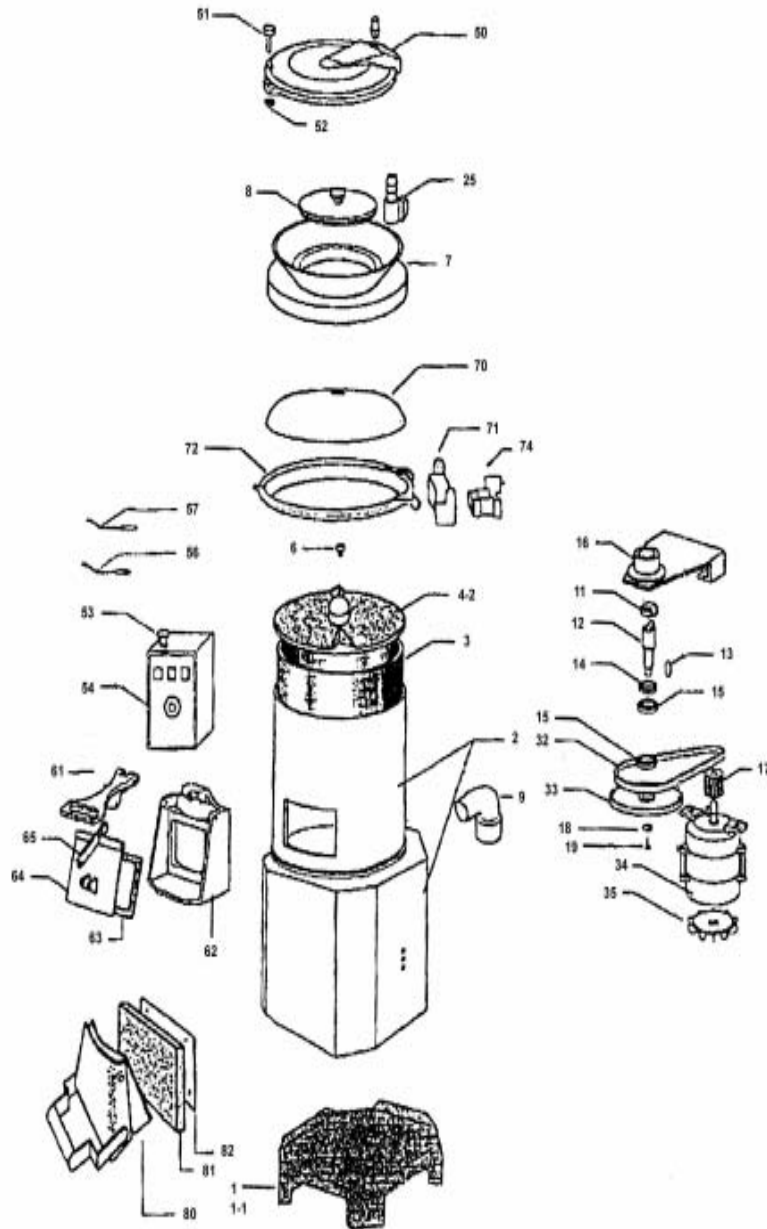




**POTATO PEELING / MUSSEL-CLEANING "PL15" - "PL400"**

<u>S/N</u>	<u>DESCRIPTION</u>
PL 400 / 1	BASIC
PL 400 / 1 - 1	ADJUSTABLE FEET
PL 400 / 2	STAINLESS STEEL CASE
PL 400 / 3	SIDE PLATE
-	-
PL 400 / 4 - 2	POTATO PEELING FULL PLATE
PL 400 / 4 - 3	MUSSEL-CLEANING FULL PLATE
-	-
PL 400 / 5	PLATE WITH GRIT
PL 400 / 6	SCREW
PL 400 / 7	INOX CONVEYOR
PL 400 / 8	COVER
PL 400 / 9	ELBOW
PL 400 / 10	TIMER
PL 400 / 11	RING
PL 400 / 12	SHAFT
PL 400 / 13	KEY
PL 400 / 14	OILBLOC
PL 400 / 15	BEARINGS
PL 400 / 16	SUPPORT
PL 400 / 16 - 1	SUPPORT ENGINE COMPLETE
PL 400 / 17	PULLEY
PL 400 / 25	COCK
PL 400 / 26	PIPING
PL 400 / 32	BELT
PL 400 / 33	PULLEY
PL 400 / 34	TRI GEARMOTOR
PL 400 / 34 - 1	MONO GEARMOTOR
PL 400 / 34 - 2	CAPACITOR MOTOR PHASE
PL 400 / 39	ALUMINUM DOOR
PL 400 / 39 - 1	ORING
PL 400 / 40	MANIGLIA INOX
PL 400 / 41	ROLLER
PL 400 / 42	BUSH
PL 400 / 50 - 1	COVER
PL 400 / 50	ASSEMBLY COVER
PL 400 / 51	HANDLE COVER
PL 400 / 52	SCREW
PL 400 / 53	SWITHC
PL 400 / 54	LOW VOLTAGE CONTROL BOX COMPLETE
PL 400 / 54 - 1	MASK LOW VOLTAGE BOX
-	-
PL 400 / 56	MICRO
PL 400 / 57	COVER MICRO
-	-
PL 400 / 82	SWITHC
-	-
PL 400 / 70	COVER
PL 400 / 70 - 1	SUPPORT HINGE COVER
PL 400 / 71	CLOSING HINGE COVER
PL 400 / 71 - 1	COVER
PL 400 / 71 - 2	ORING
PL 400 / 71 - 3	MAGNET COVER
PL 400 / 71 - 4	DOOR MAGNET COVER
PL 400 / 72	ORING
PL 400 / 74	ELETTROVALVE
PL 400 / 74 - 1	COIL SOLENOID
PL 400 / 74 - 2	

# PL 20



**POTATO PEELING / MUSSEL-CLEANING "PL20" - "PL500"**

<b>S/N</b>	<b>DESCRIPTION</b>
<b>PL 500 / 1</b>	<b>BASIC</b>
<b>PL 500 / 1 - 1</b>	<b>ADJUSTABLE FEET</b>
<b>PL 500 / 2</b>	<b>STAINLESS STEEL CASE</b>
<b>PL 500 / 3</b>	<b>SIDE PLATE</b>
-	-
<b>PL 500 / 4 - 2</b>	<b>POTATO PEELING FULL PLATE</b>
<b>PL 500 / 4 - 3</b>	<b>MUSSEL-CLEANING FULL PLATE</b>
-	-
<b>PL 500 / 5</b>	<b>PLATE WITH GRIT</b>
<b>PL 500 / 6</b>	<b>SCREW</b>
<b>PL 500 / 7</b>	<b>INOX CONVEYOR</b>
<b>PL 500 / 8</b>	<b>COVER</b>
<b>PL 500 / 9</b>	<b>ELBOW</b>
<b>PL 500 / 10</b>	<b>TIMER</b>
<b>PL 500 / 11</b>	<b>RING</b>
<b>PL 500 / 12</b>	<b>SHAFT</b>
<b>PL 500 / 13</b>	<b>KEY</b>
<b>PL 500 / 14</b>	<b>OILBLOC</b>
<b>PL 500 / 15</b>	<b>BEARINGS</b>
<b>PL 500 / 16</b>	<b>SUPPORT</b>
<b>PL 500 / 16 - 1</b>	<b>SUPPORT ENGINE COMPLETE</b>
<b>PL 500 / 17</b>	<b>PULLEY</b>
<b>PL 500 / 25</b>	<b>COCK</b>
<b>PL 500 / 26</b>	<b>PIPING</b>
<b>PL 500 / 32</b>	<b>BELT</b>
<b>PL 500 / 33</b>	<b>PULLEY</b>
<b>PL 500 / 34</b>	<b>TRI GEARMOTOR</b>
<b>PL 500 / 34 - 1</b>	<b>MONO GEARMOTOR</b>
<b>PL 500 / 34 - 2</b>	<b>CAPACITOR MOTOR PHASE</b>
<b>PL 500 / 39</b>	<b>ALUMINUM DOOR</b>
<b>PL 500 / 39 - 1</b>	<b>ORING</b>
<b>PL 500 / 40</b>	<b>MANIGLIA INOX</b>
<b>PL 500 / 41</b>	<b>ROLLER</b>
<b>PL 500 / 42</b>	<b>BUSH</b>
<b>PL 500 / 50 - 1</b>	<b>COVER</b>
<b>PL 500 / 50</b>	<b>ASSEMBLY COVER</b>
<b>PL 500 / 51</b>	<b>HANDLE COVER</b>
<b>PL 500 / 52</b>	<b>SCREW</b>
<b>PL 500 / 53</b>	<b>SWITHC</b>
<b>PL 500 / 54</b>	<b>LOW VOLTAGE CONTROL BOX COMPLETE</b>
<b>PL 500 / 54 - 1</b>	<b>MASK LOW VOLTAGE BOX</b>
-	-
<b>PL 500 / 56</b>	<b>MICRO</b>
<b>PL 500 / 57</b>	<b>COVER MICRO</b>
-	-
<b>PL 500 / 82</b>	<b>SWITHC</b>
-	-
<b>PL 500 / 70</b>	<b>COVER</b>
<b>PL 500 / 70 - 1</b>	<b>SUPPORT HINGE COVER</b>
<b>PL 500 / 71</b>	<b>CLOSING HINGE COVER</b>
<b>PL 500 / 71 - 1</b>	<b>COVER</b>
<b>PL 500 / 71 - 2</b>	<b>ORING</b>
<b>PL 500 / 71 - 3</b>	<b>MAGNET COVER</b>
<b>PL 500 / 71 - 4</b>	<b>DOOR MAGNET COVER</b>
<b>PL 500 / 72</b>	<b>ORING</b>
<b>PL 500 / 74</b>	<b>ELETTCROVALVE</b>
<b>PL 500 / 74 - 1</b>	<b>COIL SOLENOID</b>
<b>PL 500 / 74 - 2</b>	